



SCHNORR® GREEN ENERGY

EN



SCHNORR®
DISC SPRING ENGINEERING

HYDROGEN

Whether you manufacture fuel cells, electrolyzers, or peripherals (e.g., fittings): We want to help you ensure that you are producing high quality and durable products.

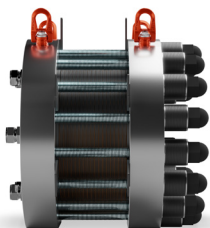
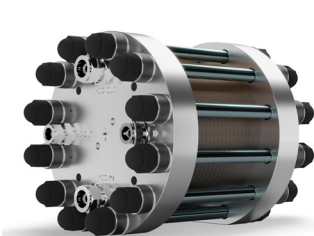
- Design of disc springs for electrolyzers, fuel cells and peripherals (e.g. valves)
- Selection of suitable materials taking into account the hydrogen environment
- Selection of suitable surfaces and coatings with regard to corrosion resistance and/or friction reduction.



APPLICATION EXAMPLES

DISC SPRINGS IN

- Elektrolyzers
- Fuel Cells e.g. for pretensioning under the influence of heat
- Fittings/Ball Valves
- Hydrogen blower
- Hydrogen refueling systems
- Pump gaskets on piston



WIND POWER

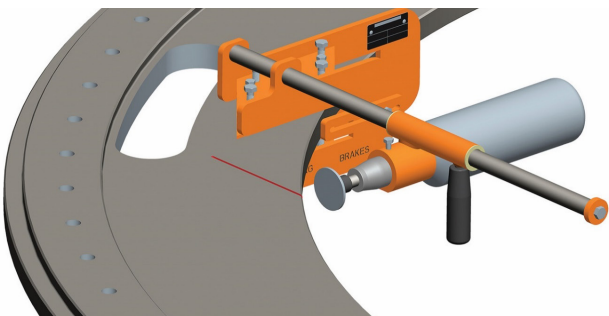
We are familiar with the requirements of the wind power industry - regardless of whether on-shore or off-shore - and are at your side with our experience in design and engineering whenever it comes to move- cushion- secure, even for complex challenges.

- Designing of disc springs e.g. yaw brakes in wind turbines
- Consulting regarding the correct securing of bolted joints
- Selection of suitable materials with consideration of salt water resistance
- Selection of suitable surfaces and coatings with concerning corrosion resistance and/or friction reduction.
- Design, development and assembly of subassemblies



APPLICATION EXAMPLES

- Disc springs in yaw brakes
- Safety washers in bolted joints



SOLAR POWER

As a mechanical screw locking device specialist, we have spent decades carefully developing and expanding our range of products and our expertise in mechanical screw locking devices.

Making sure your customers' solar fixtures are secure.

- Designing of secure bolted joints
- Calculations of wind and snow load with regard to screw retention
- Qualified expert regarding the selection of correct screw locking devices



APPLICATION EXAMPLES

- Safety washers applied in the screw connection of the substructure for solar modules



HYDROELECTRIC POWER

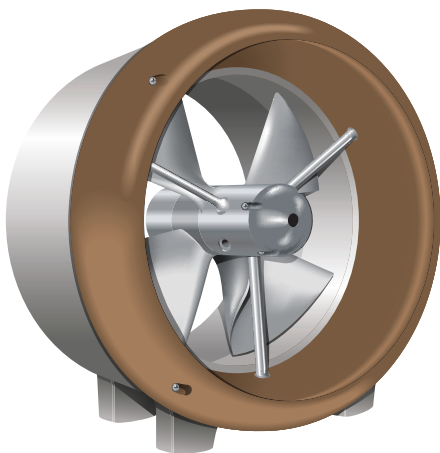
When it comes to hydroelectric power, it goes without saying that high quality materials and coatings are a must. We are able to satisfy these requirements easily and at any time thanks to our engineering and design expertise.

- Highest quality for group 3 disc springs due to the use of forged blanks
- Economical realization of small batch sizes
- Material and coating solutions according to the environment (direct media contact or in the periphery)
- Design and engineering with regard to highest force requirements

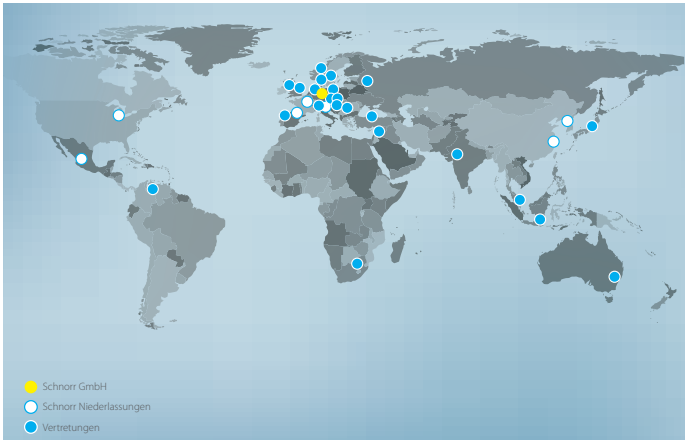


APPLICATION EXAMPLES

- Disc springs in hydroelectric turbines
- Disc springs in tidal power plants



WORLDWIDE



CERTIFICATES

- IATF 16949:2016
- ISO 14001:2015
- EMAS 1221/2009
- Nach AD-Markblatt W0/TRD 100
- ISO 45001

CONTACT

SCHNORR GMBH

Stuttgarter Str. 37
71069 Sindelfingen-Maichingen
Tel.: +49 7031 302-0
E-mail: mail@schnorr.de
www.schnorr-group.com

